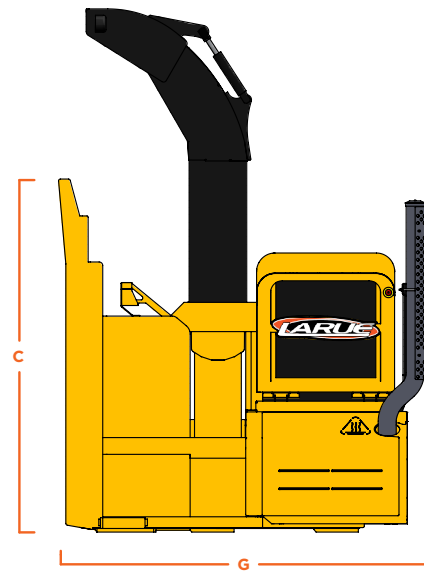
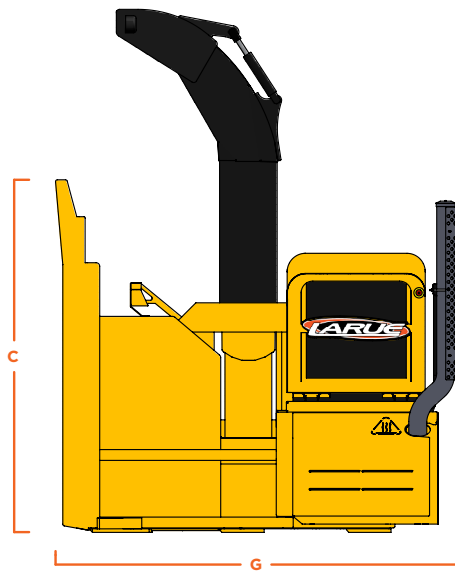
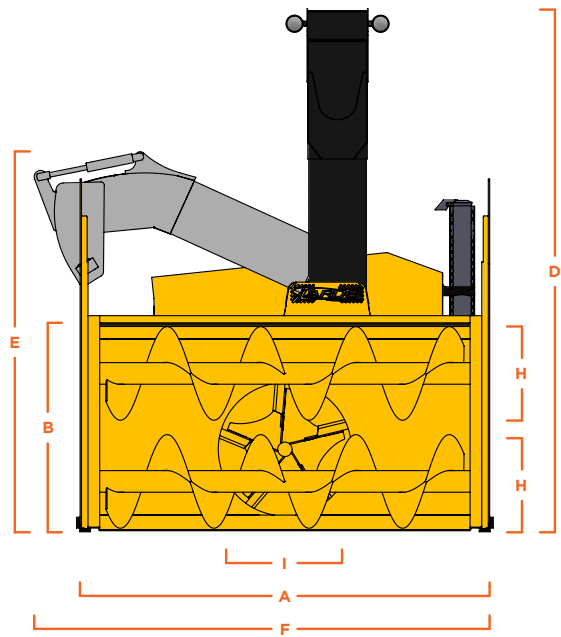
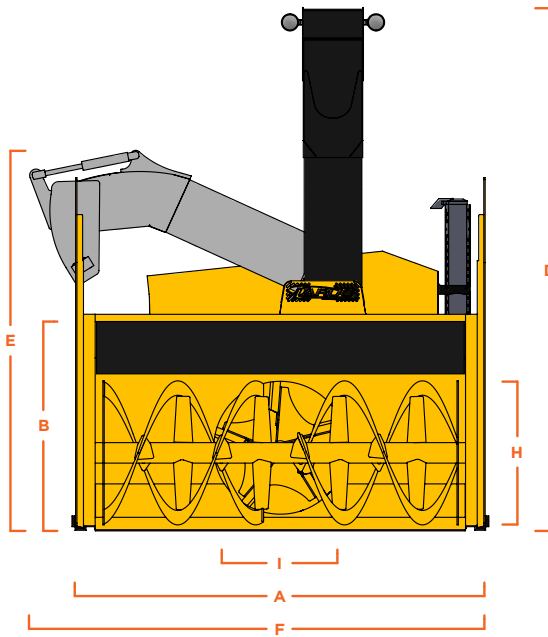


D-SERIES TWO-STAGE DIMENSION CHART



STANDARD SPECIFICATIONS	D25	D30	D35	D40	D45	D50	D55	D60	D65
A WORKING WIDTH¹	91 IN	102 IN		110 IN		114 IN			
B WORKING HEIGHT	42 IN	52 IN		54 IN		55 IN		60 IN	
C DRIFT CUTTERS HEIGHT	72 IN	84 IN			98 IN				
D TRUCK LOADING HEIGHT²	125 IN	129 IN			139 IN				
E TRANSPORTATION HEIGHT	87 IN	97 IN		93 IN		104 IN		105 IN	
F TRANSPORTATION WIDTH	120 IN	143 IN		147 IN		131 IN			
G LENGTH	94 IN	91 IN	100 IN	94 IN	103 IN	98 IN	110 IN	102 IN	112 IN
H RIBBON / AUGER DIAMETER	28 IN	2 X 17 IN	32 IN	2 X 17 IN	32 IN	2 X 20 IN	36 IN	2 X 26 IN	40 IN
I IMPELLER DIAMETER	28 IN	34 IN				40 IN			

¹ Working width can be extended by 6" for all models or by 12" (D5X-D6X only) with the widening kit option.

² Truck loading height can be extended by 18" or 30" with the telescopic chute extension option. Transportation dimensions are subject to change depending on selected equipment and options.