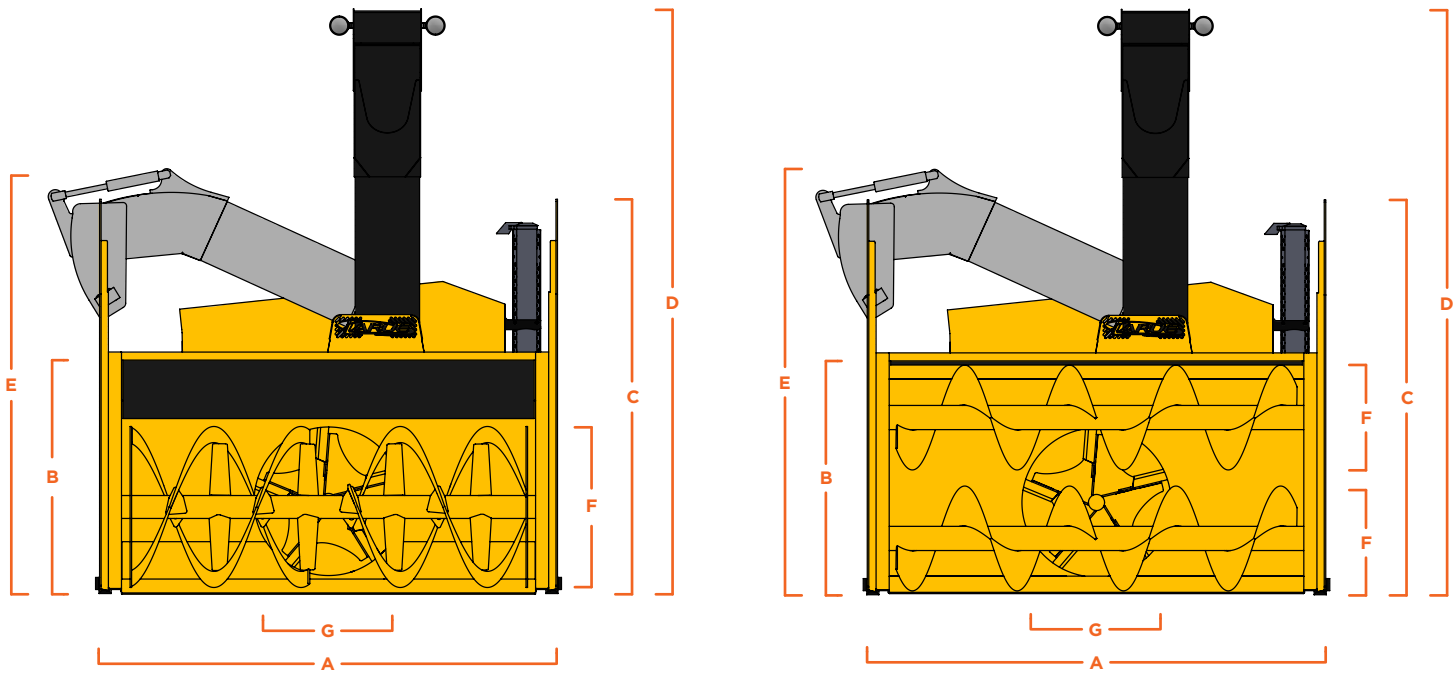


D-SERIES TWO-STAGE DIMENSIONS



IMPERIAL

STANDARD SPECIFICATIONS	D25	D30	D35	D40	D45	D50	D55	D60	D65
A WORKING WIDTH*	91 IN	102 IN		110 IN		114 IN			
B WORKING HEIGHT	42 IN	52 IN		54 IN		55 IN		60 IN	
C DRIFT CUTTERS HEIGHT	72 IN	84 IN				98 IN			
D TRUCK LOADING HEIGHT*	125 IN	129 IN				139 IN			
E TRANSPORTATION HEIGHT	87 IN	97 IN		93 IN		104 IN		105 IN	
F RIBBON / AUGER DIAMETER	28 IN	2 X 17 IN	32 IN	2 X 17 IN	32 IN	2 X 20 IN	36 IN	2 X 26 IN	40 IN
G IMPELLER DIAMETER	28 IN	34 IN				40 IN			

* Working width can be extended by 6" or 12" with the widening kit option.

* Truck loading height can be extended by 18" or 30" with the telescopic chute extension option.

METRIC

STANDARD SPECIFICATIONS	D25	D30	D35	D40	D45	D50	D55	D60	D65
A WORKING WIDTH*	2,311 MM	2,591 MM		2,794 MM		2,896 MM			
B WORKING HEIGHT	1,067 MM	1,321 MM		1,372 MM		1,397 MM		1,524 MM	
C DRIFT CUTTERS HEIGHT	1,829 MM	2,134 MM				2,489 MM			
D TRUCK LOADING HEIGHT*	3,175 MM	3,277 MM				3,531 MM			
E TRANSPORTATION HEIGHT	2,210 MM	2,464 MM		2,362 M		2,642 MM		2,667 MM	
F RIBBON / AUGER DIAMETER	711 MM	2 X 432 MM	813 MM	2 X 432 MM	813 MM	2 X 508 MM	914 MM	2 X 660 MM	1,016 MM
G IMPELLER DIAMETER	711 MM	864 MM				1,016 MM			

* Working width can be extended by 152 or 304 mm with the widening kit option.

* Truck loading height can be extended by 457 or 762 mm with the telescopic chute extension option.